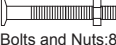

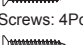
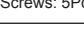
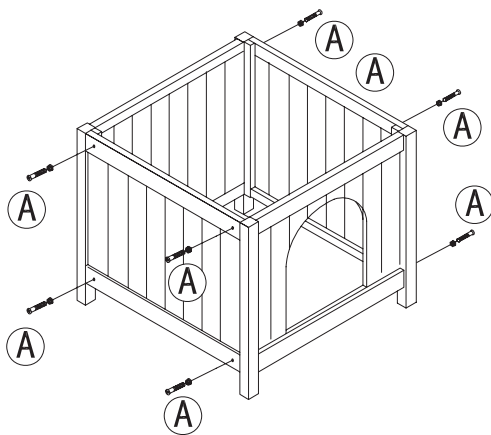
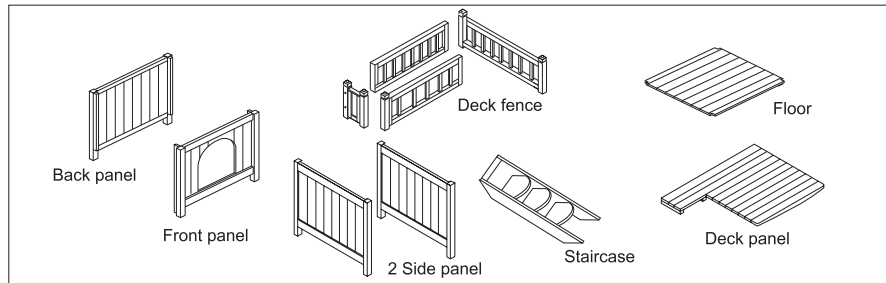
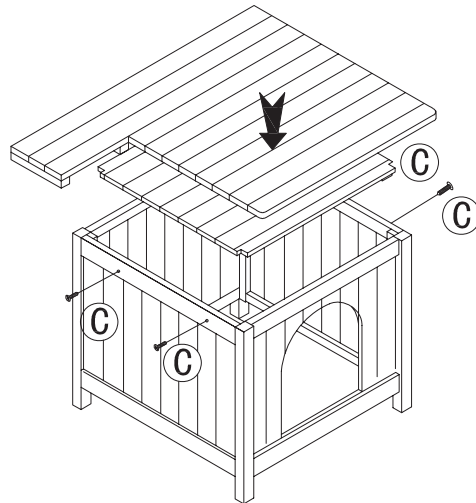


# WOODEN CAT HOUSE ASSEMBLY INSTRUCTIONS

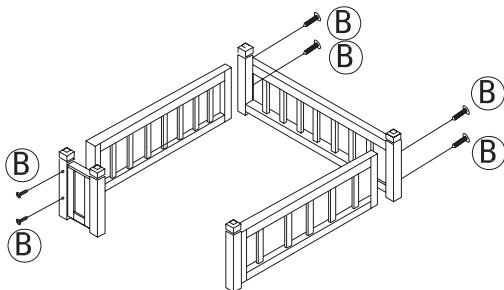
- (A)  Bolts and Nuts: 8 Sets (M6 X 50)
- (B)  Screws: 9 Pcs (M3.5 X 40)
- (C)  Screws: 4 Pcs (M3.5 X 35)
- (D)  Screws: 5 Pcs (M3.0 X 20)



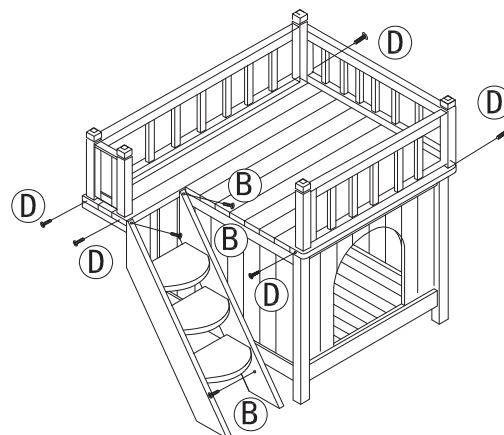
Step 1: Install front, Back, and side panels



Step 2: Place floor panel inside the house place deck panel on house and secure with screws.



Step 3: Set up deck fence



Step 4: Secure deck fence on house and Install staircase